



JUNIOR INVENTOR



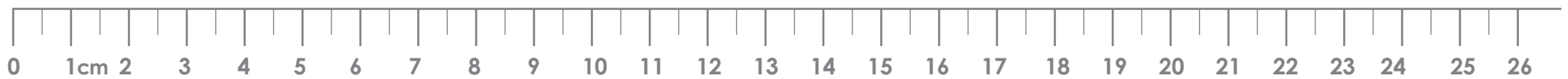
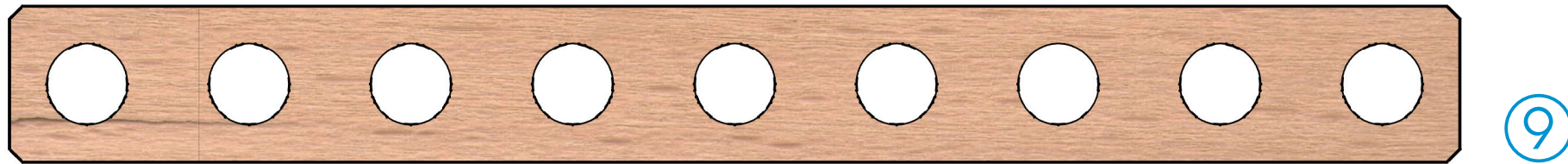
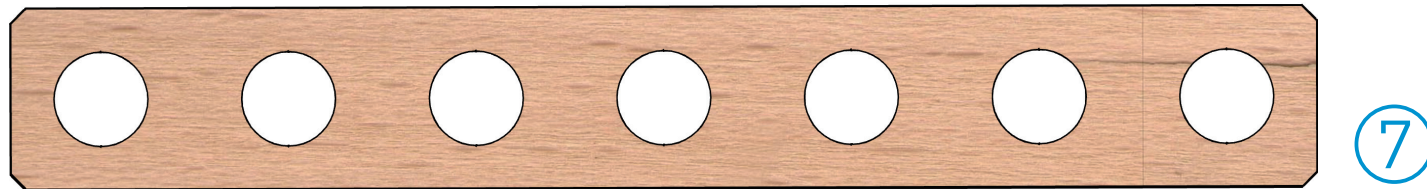
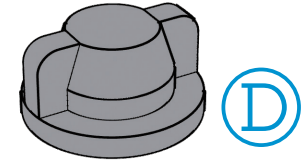
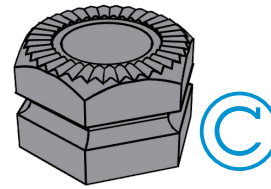
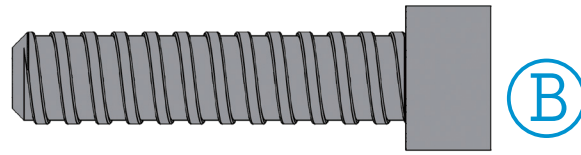
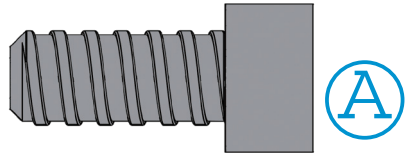
FREE INSTRUCTION APP



<https://www.hape.com/apps>



1:1



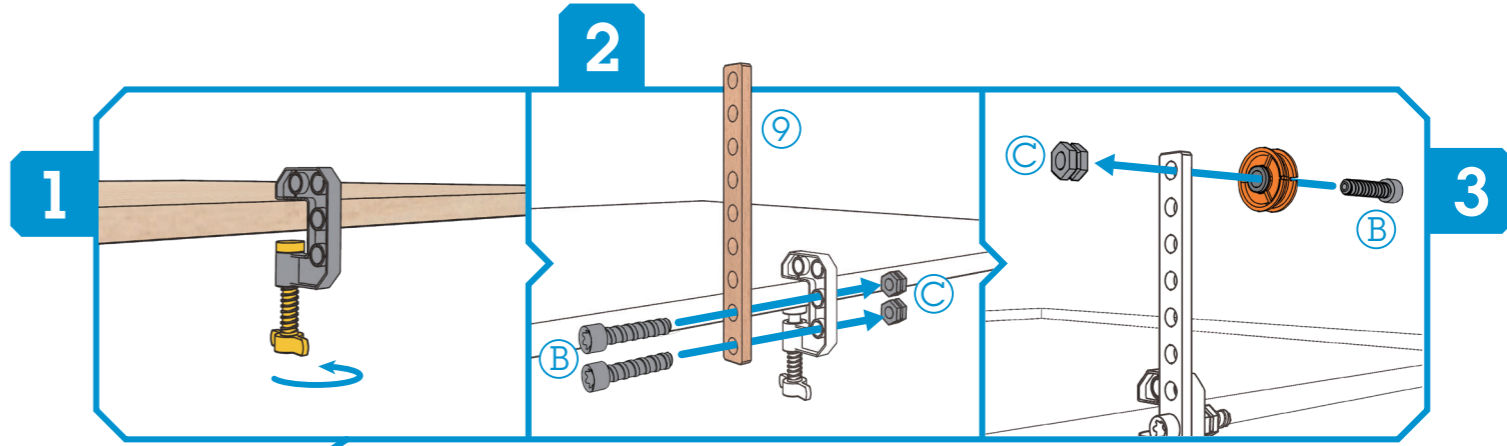
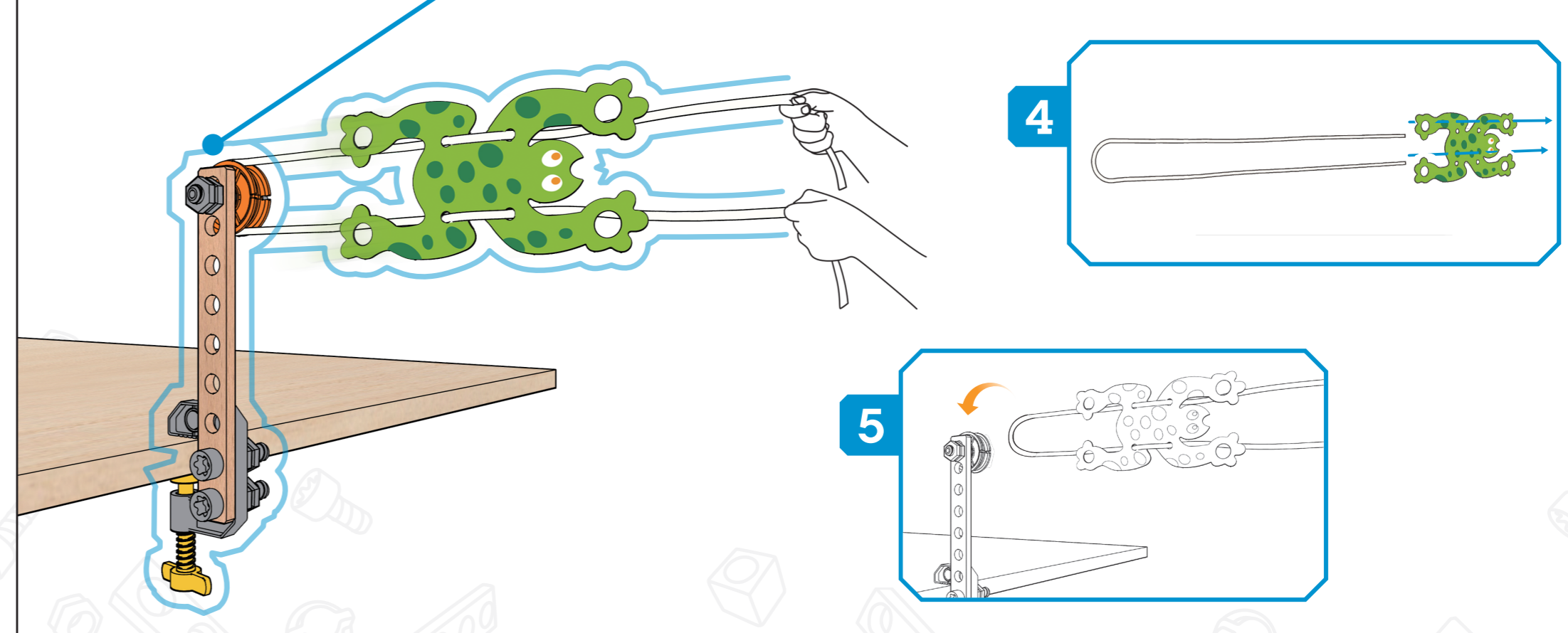
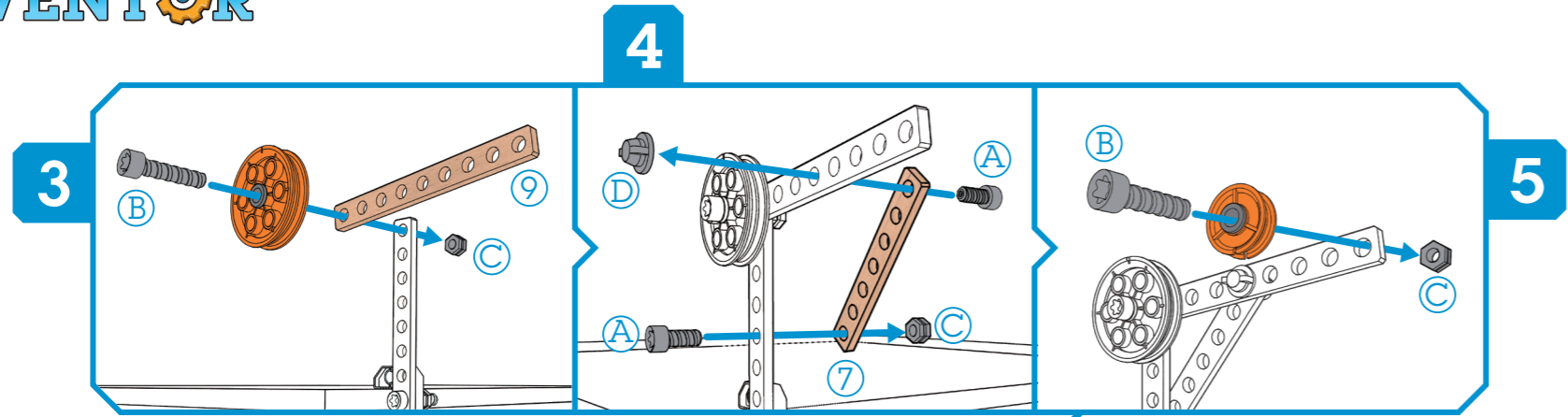
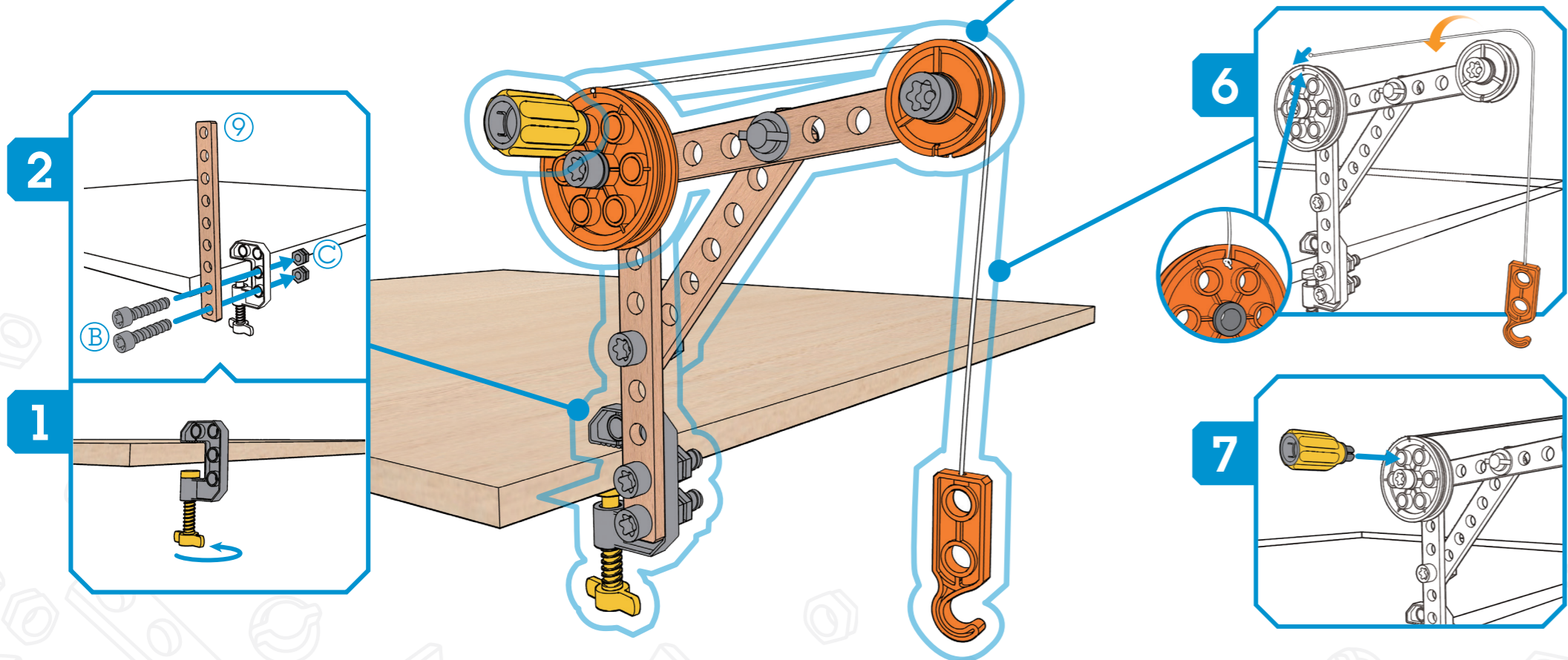


JUNIOR
INVENTOR



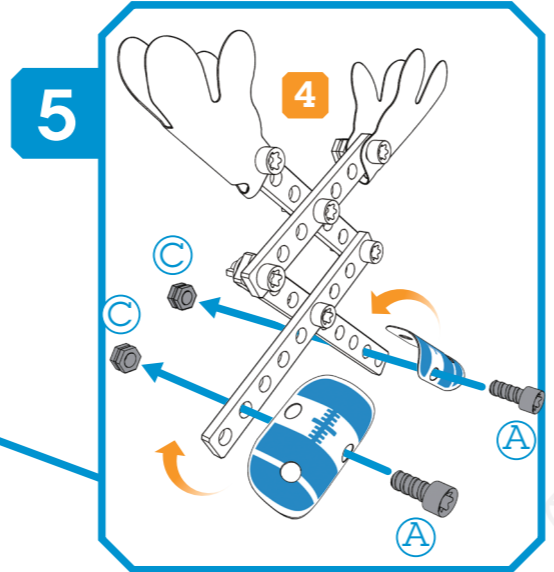
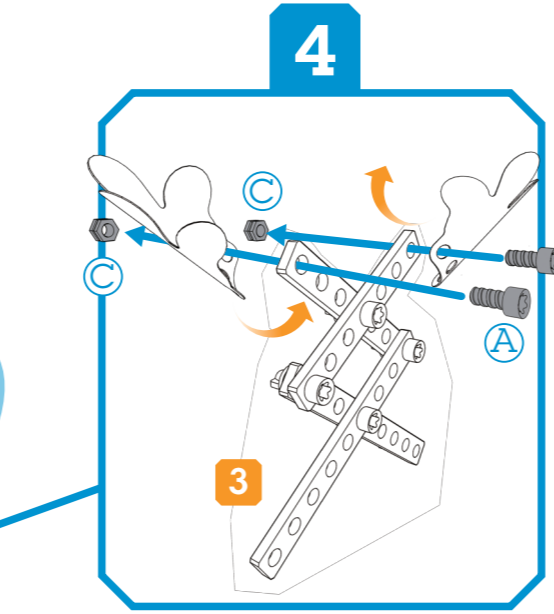
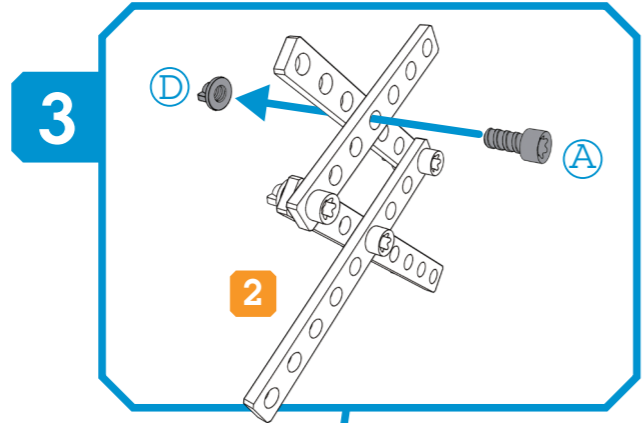
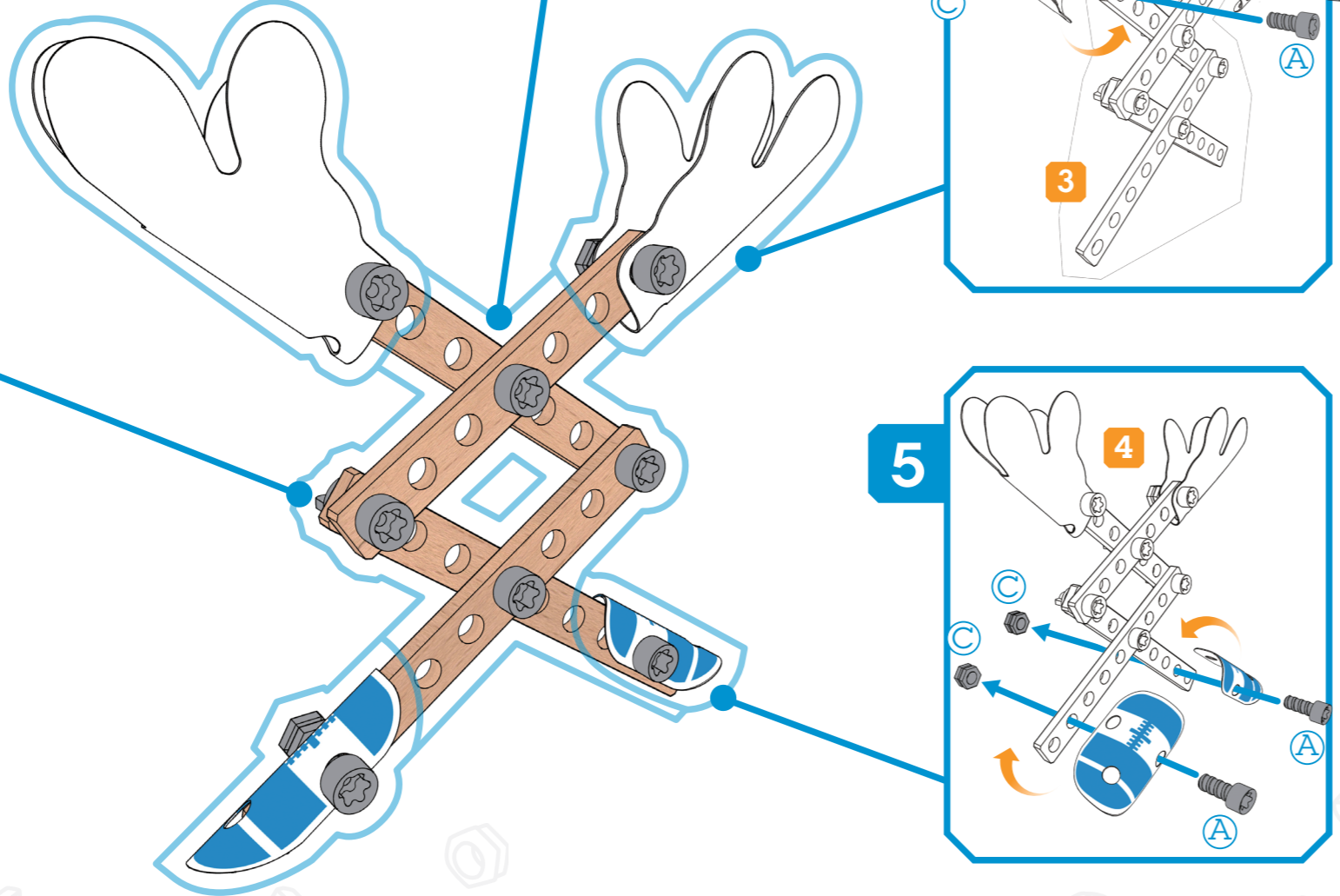
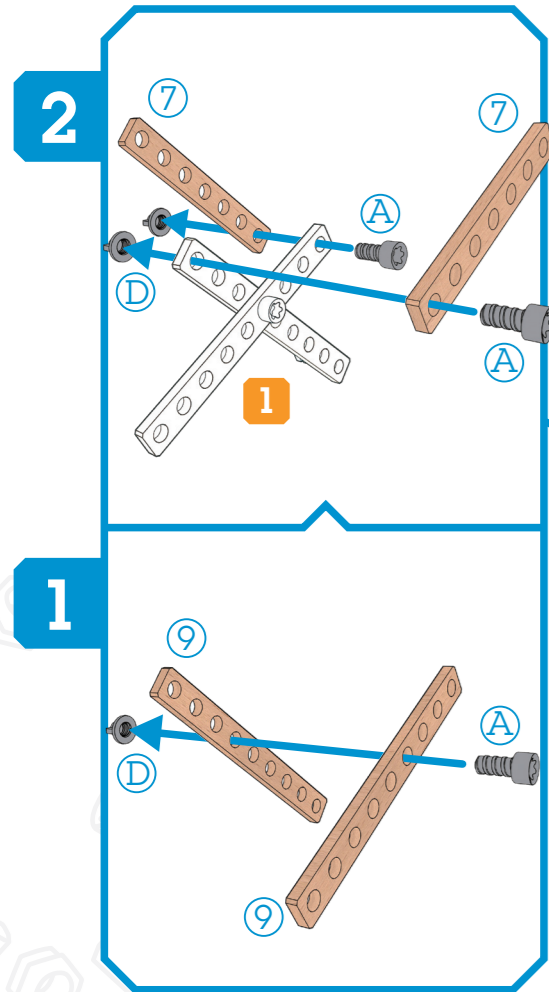
666053

INVENTOR: _____





JUNIOR INVENTOR



JUNIOR INVENTOR



666048

INVENTOR: _____