



JUNIOR INVENTOR



E3027



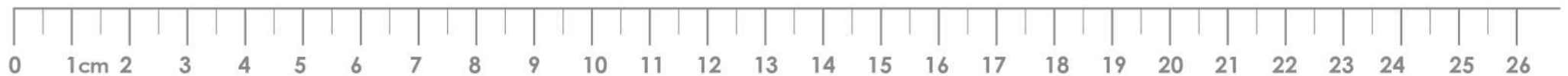
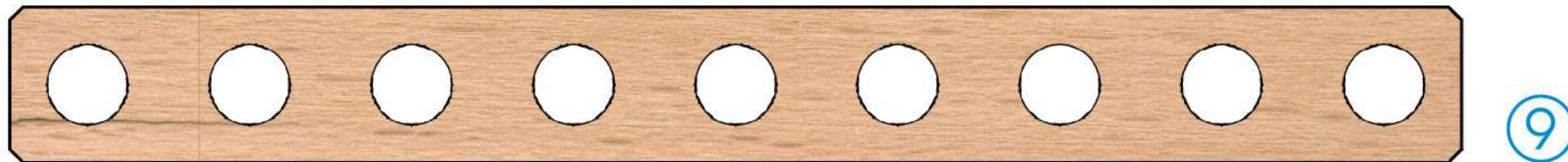
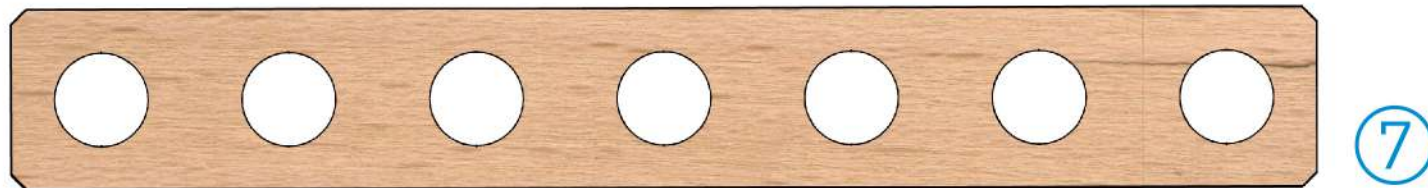
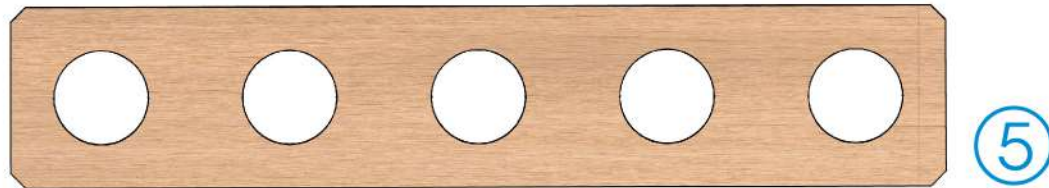
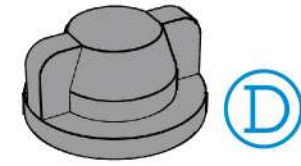
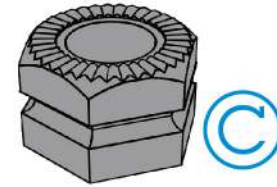
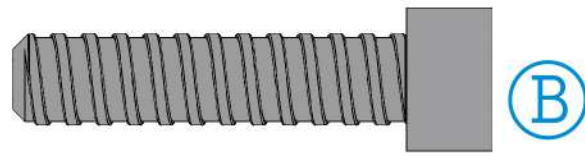
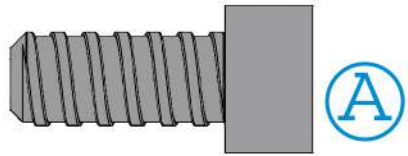
JUNIOR
INVENTOR



FREE
INSTRUCTION
APP



1:1



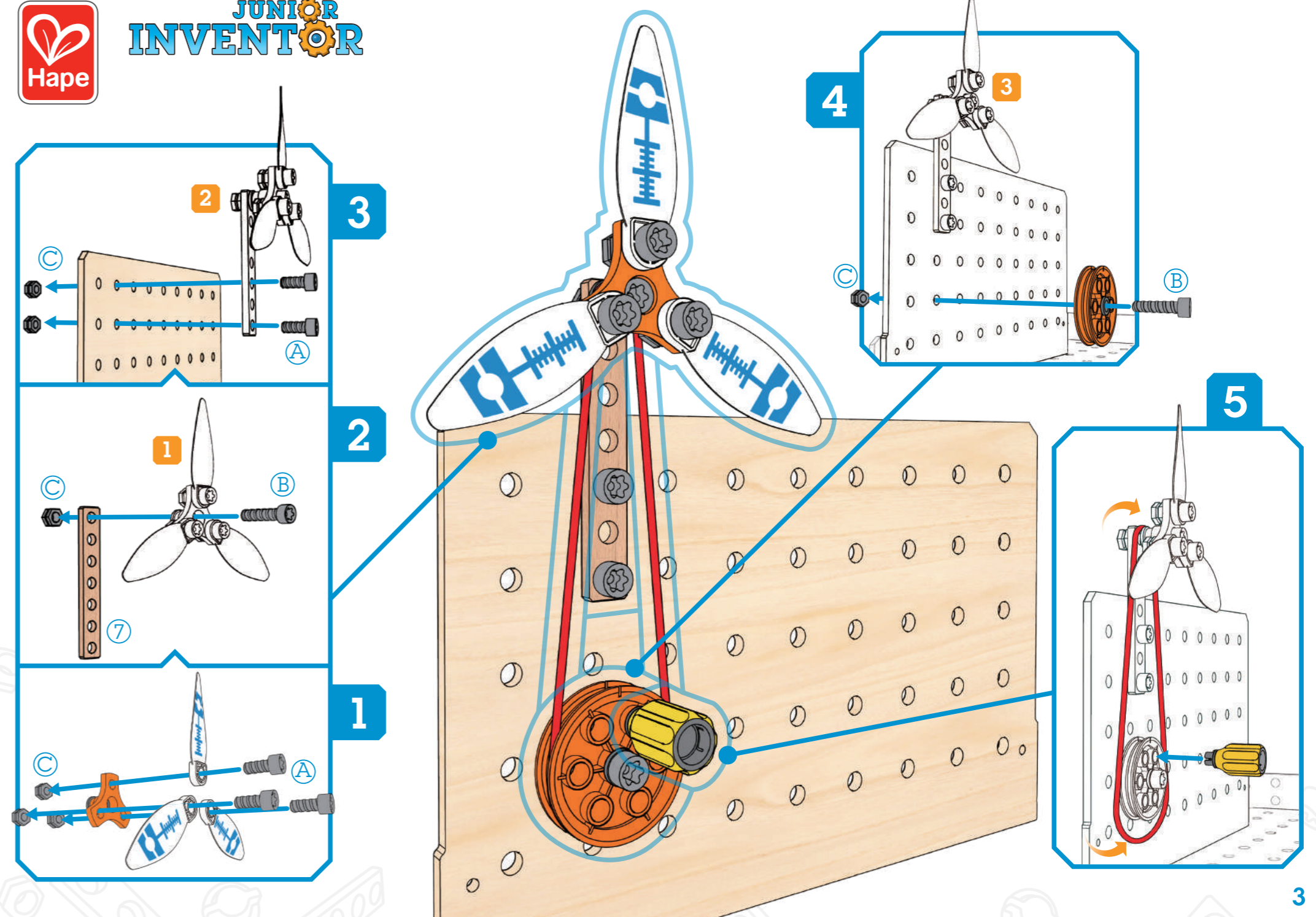
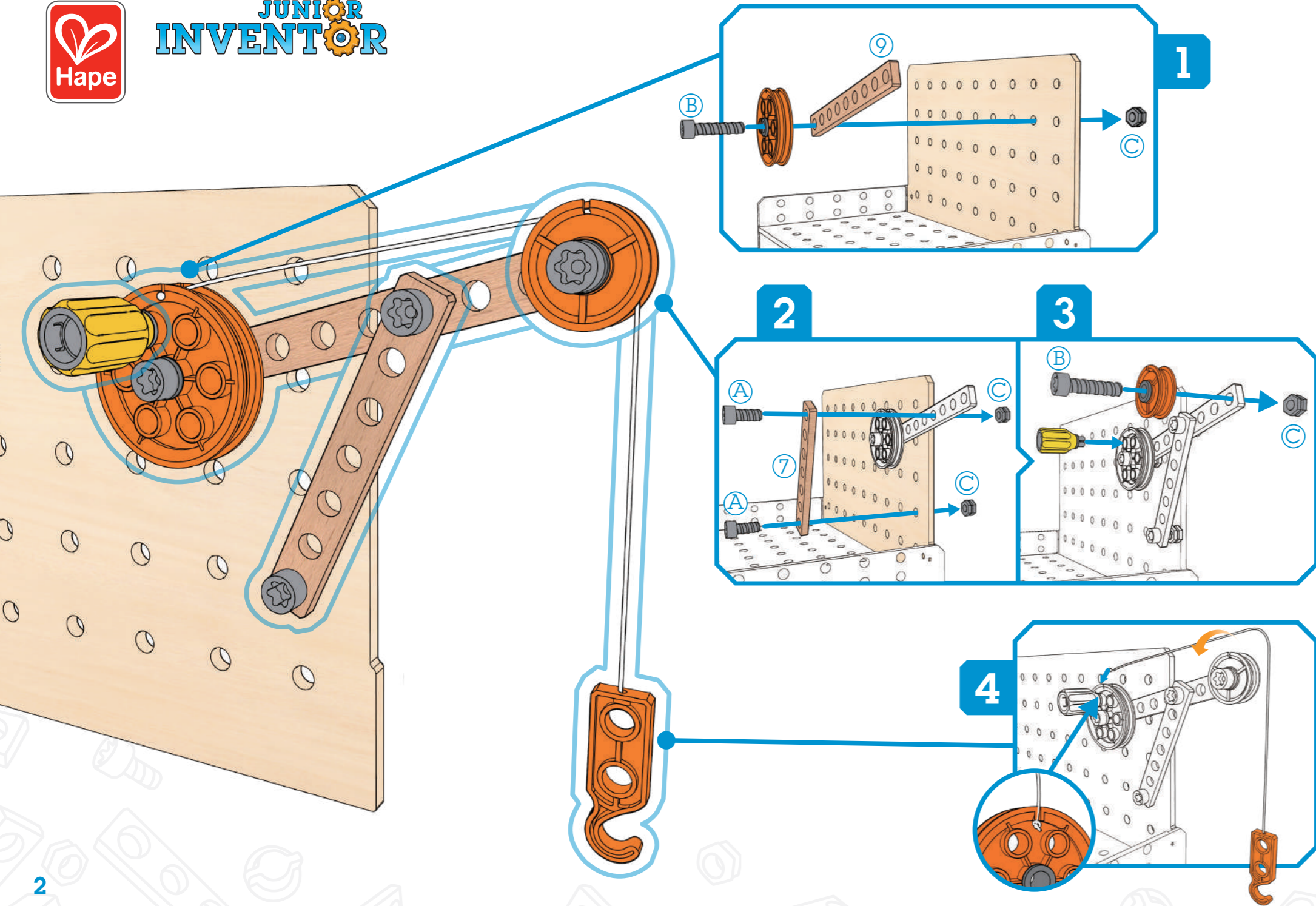


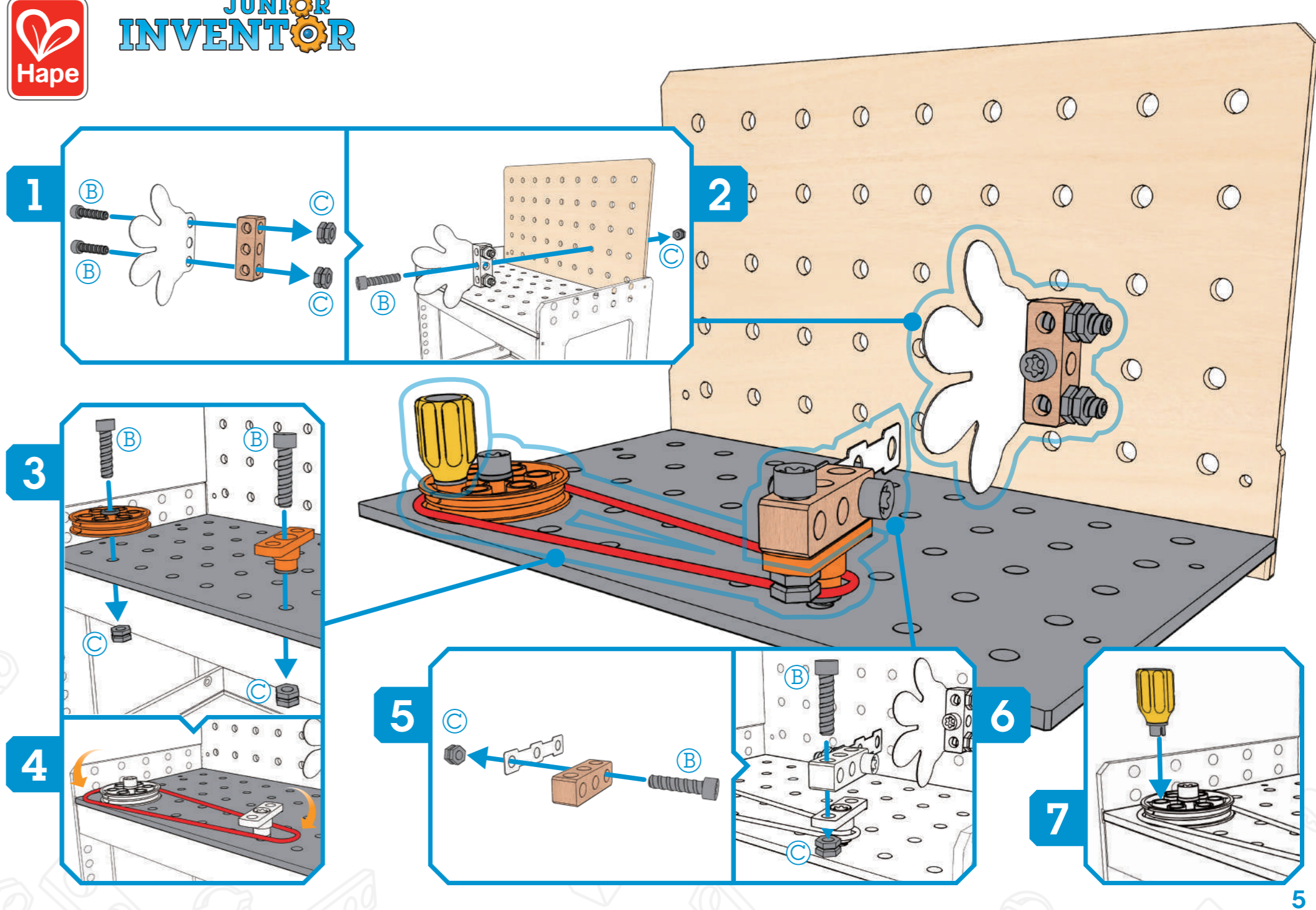
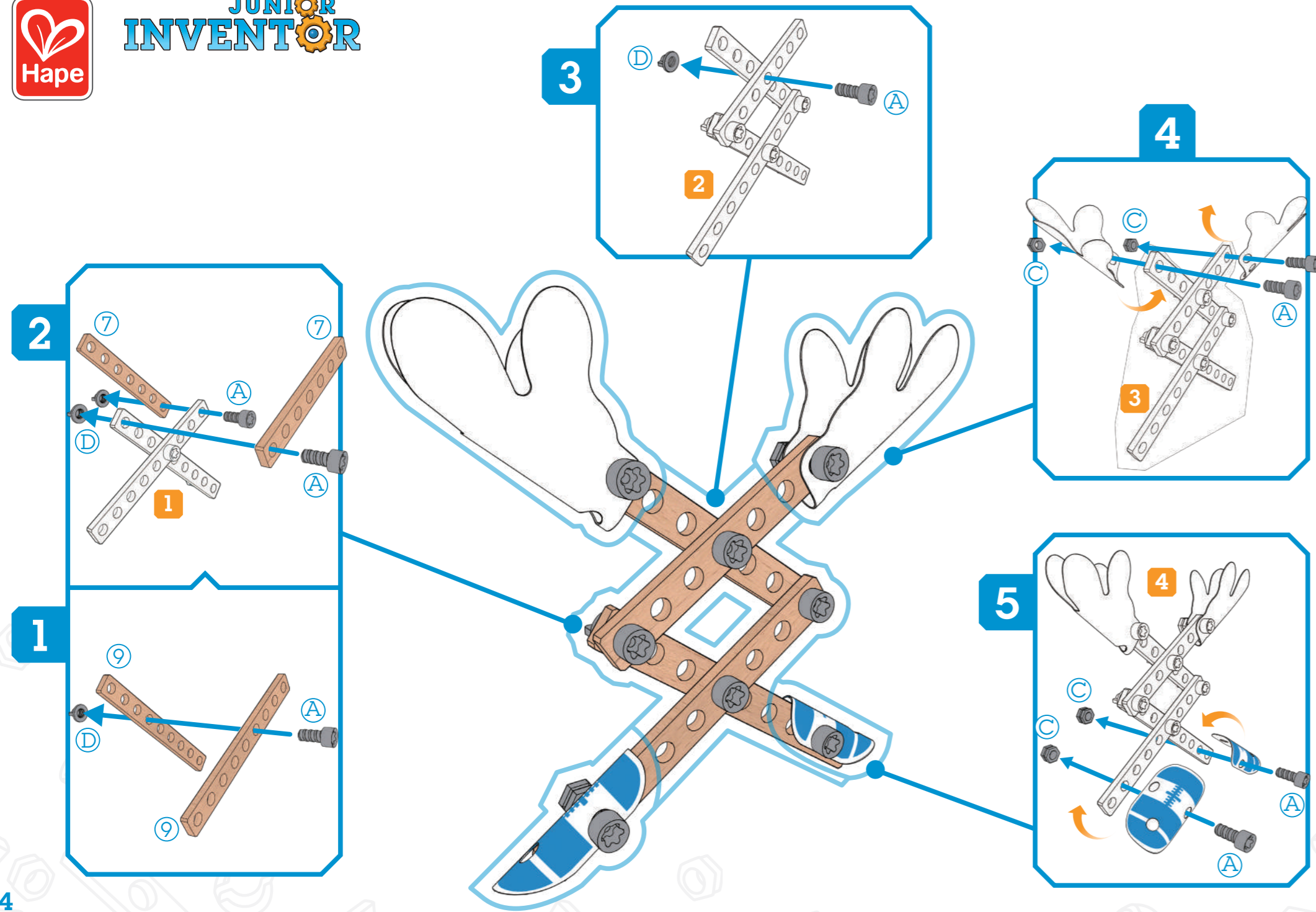
**JUNIOR
INVENTOR**



666050

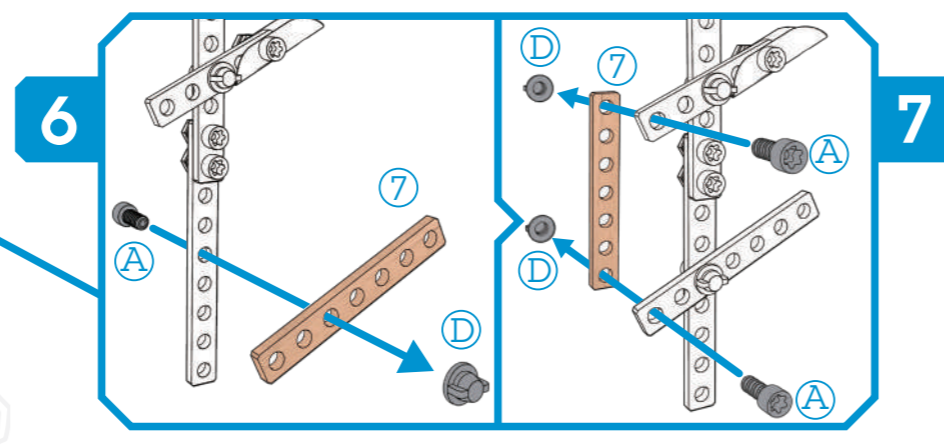
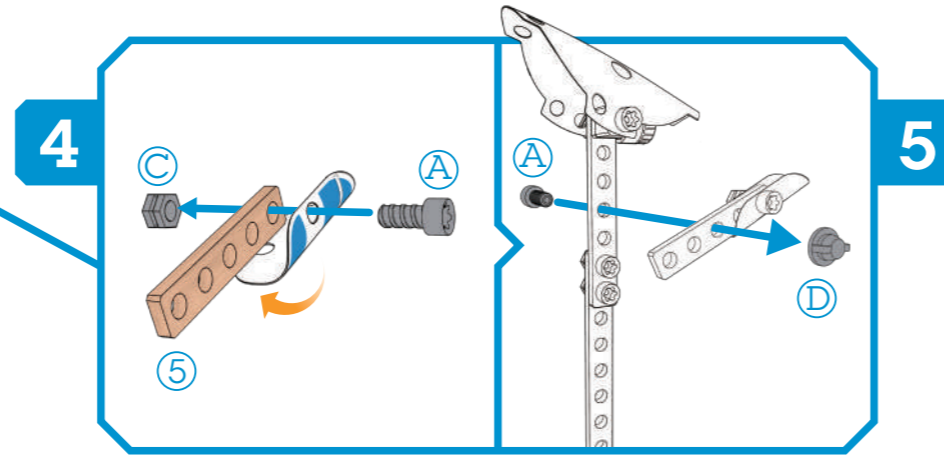
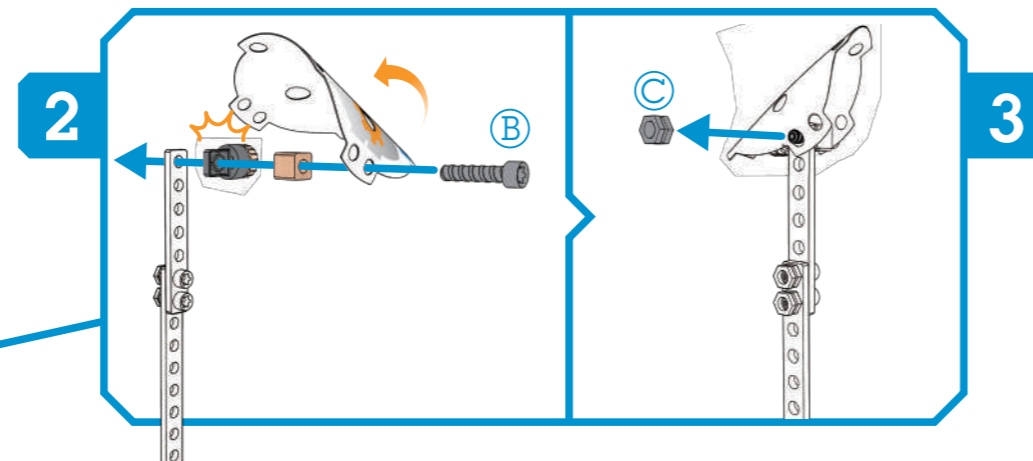
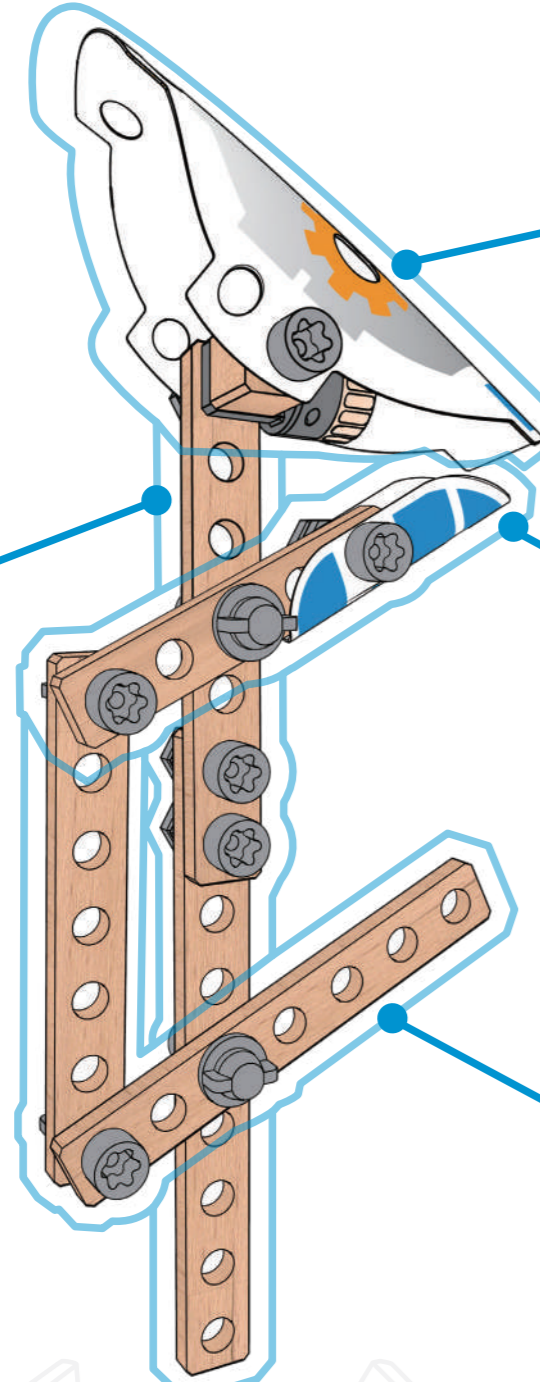
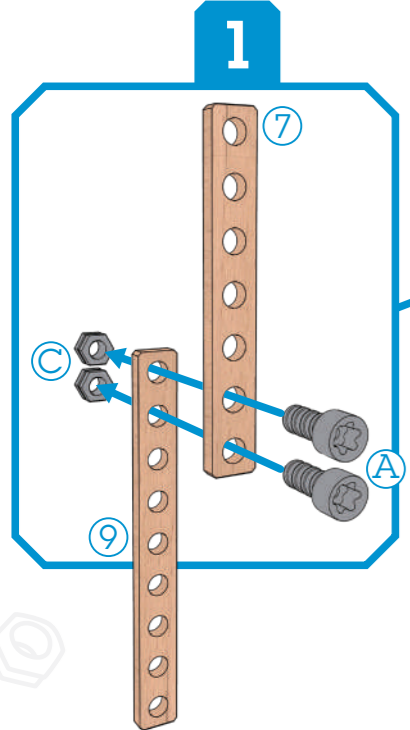
INVENTOR: _____



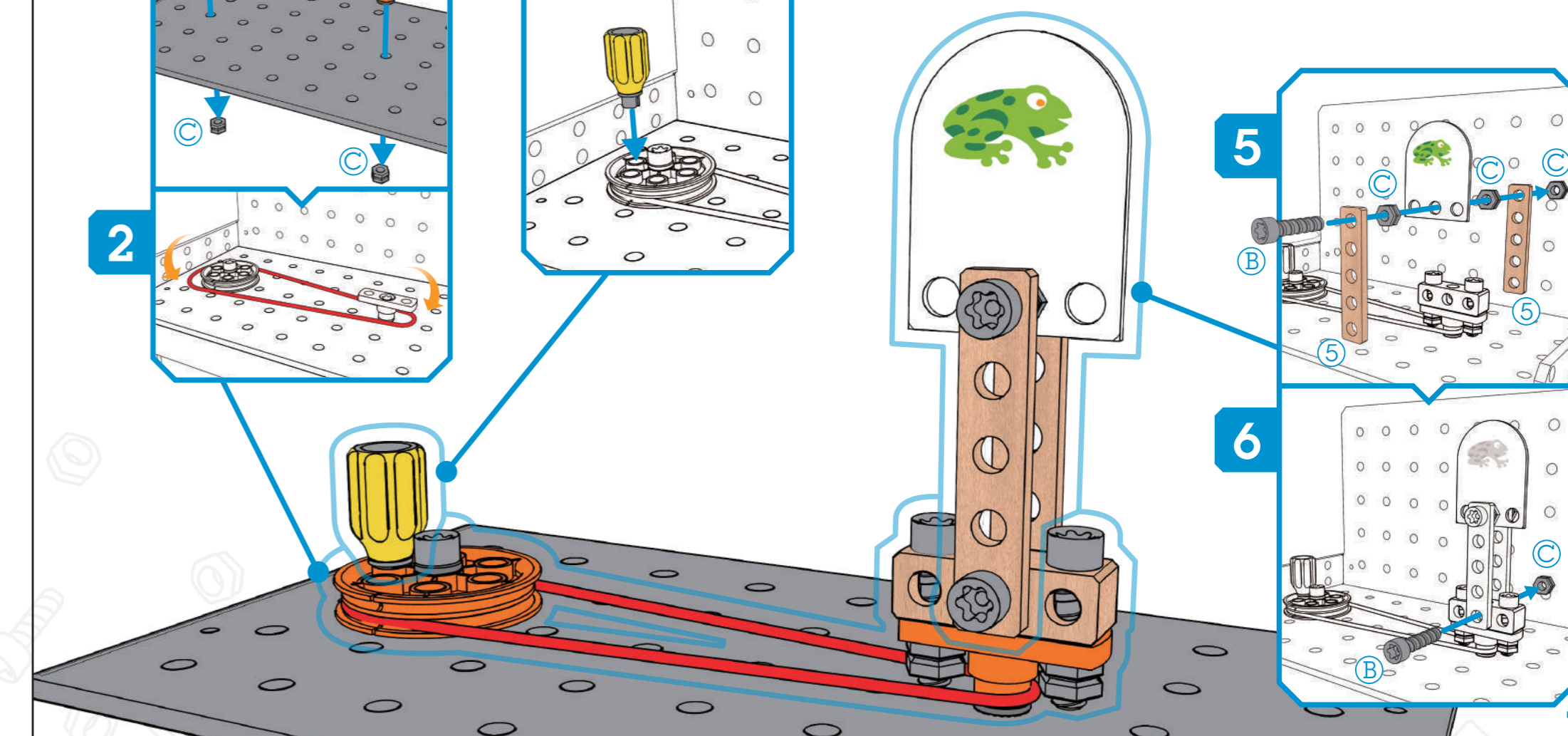
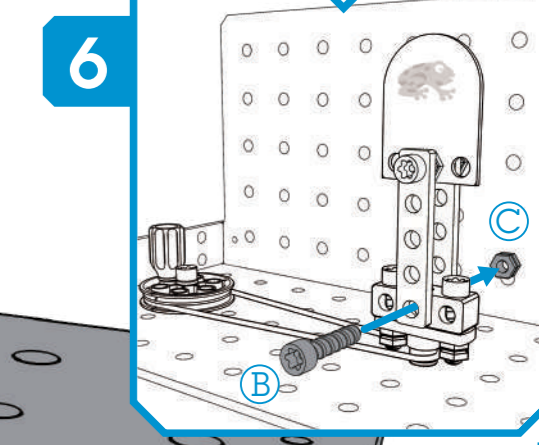
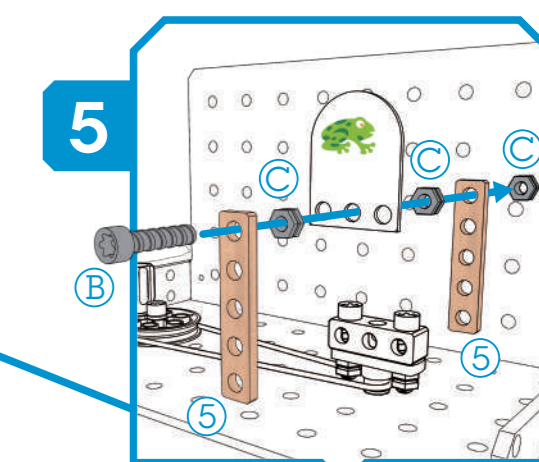
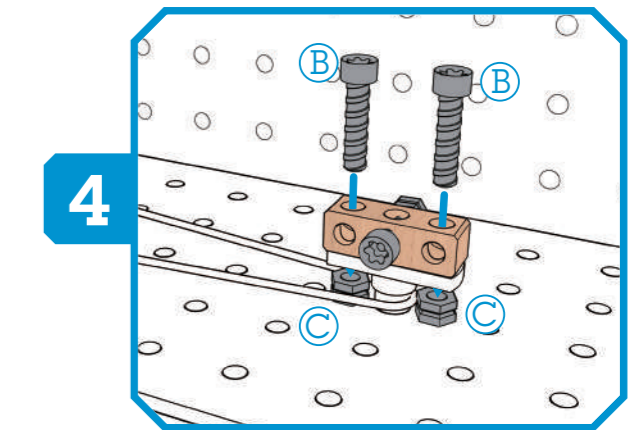
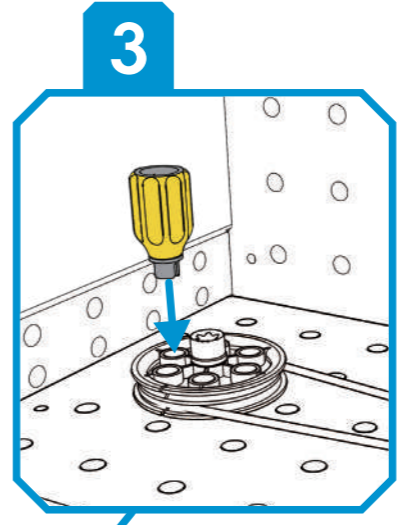
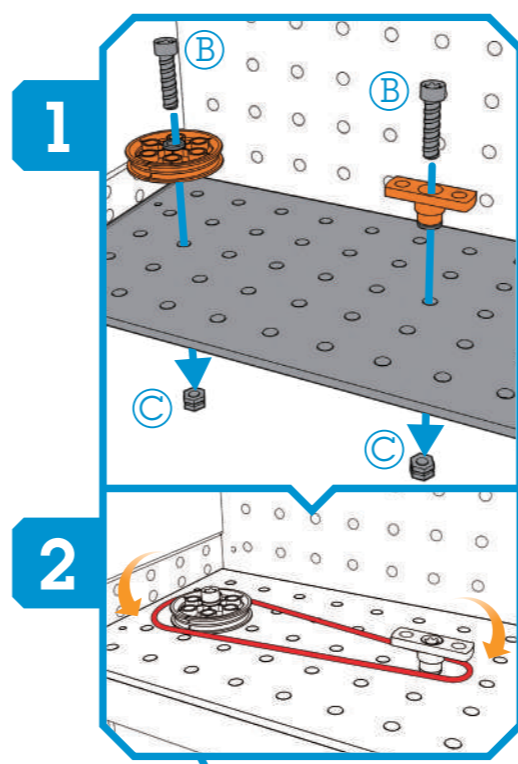


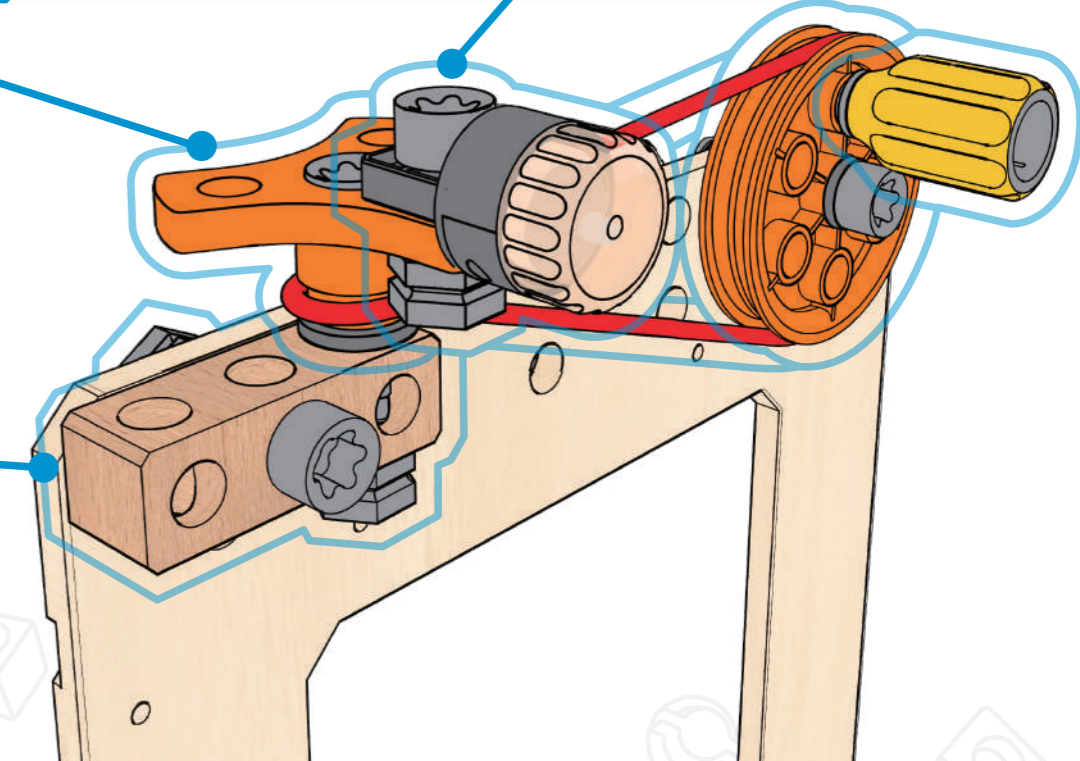
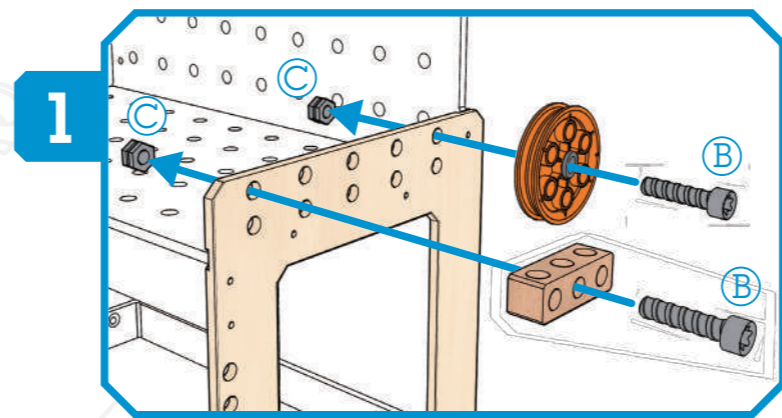
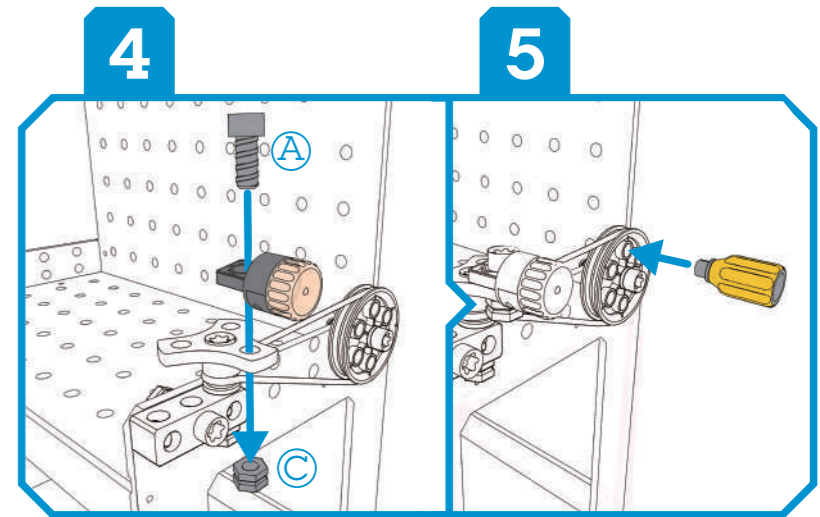
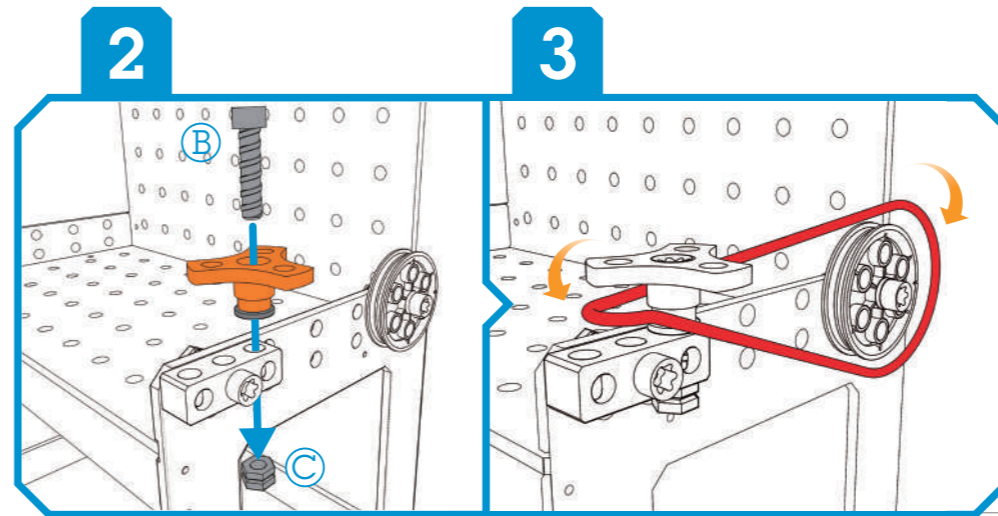
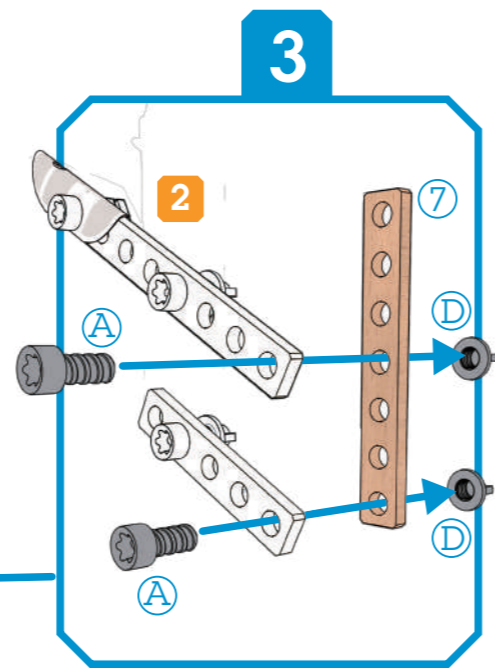
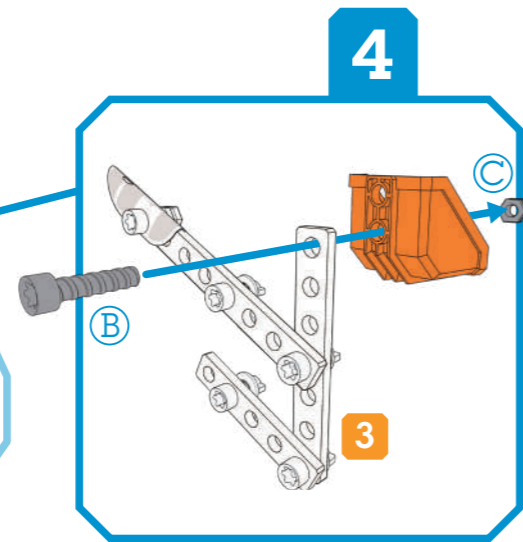
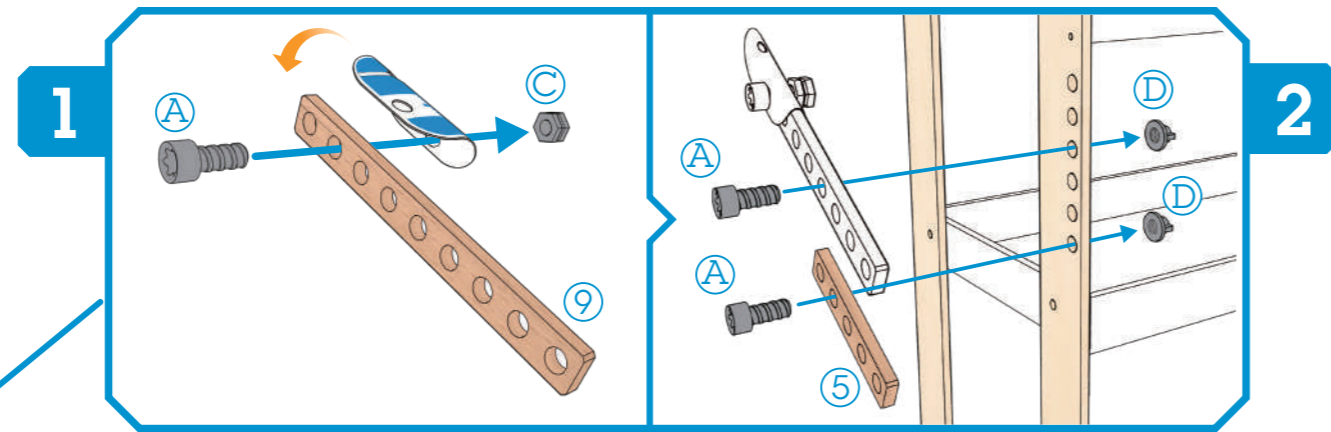


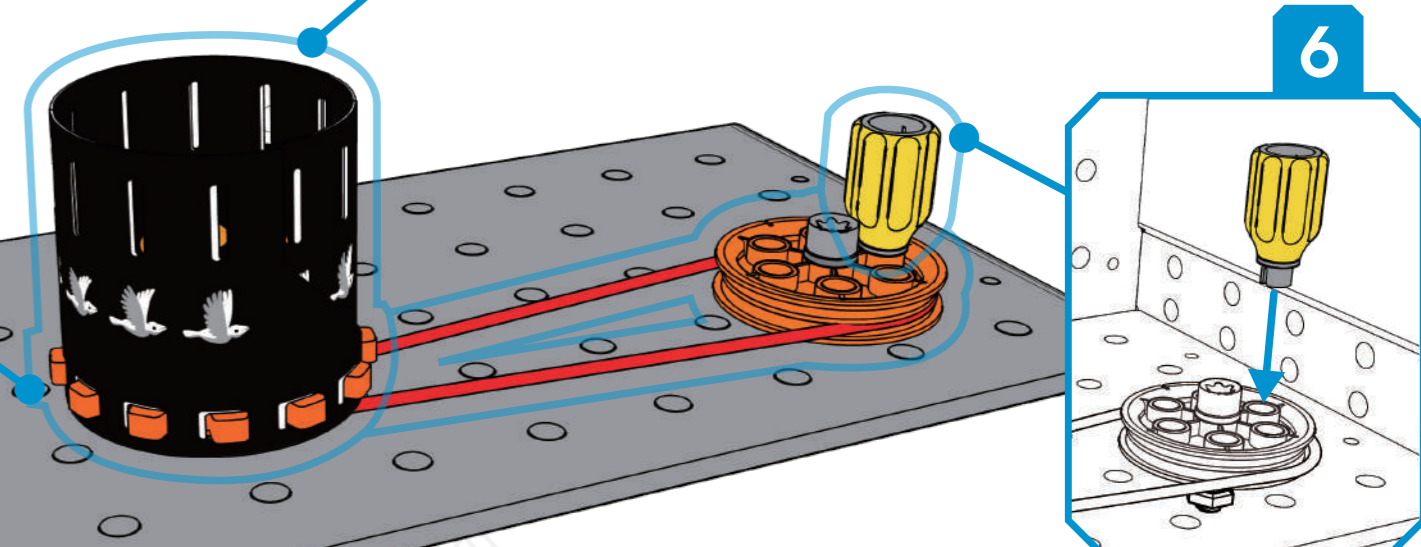
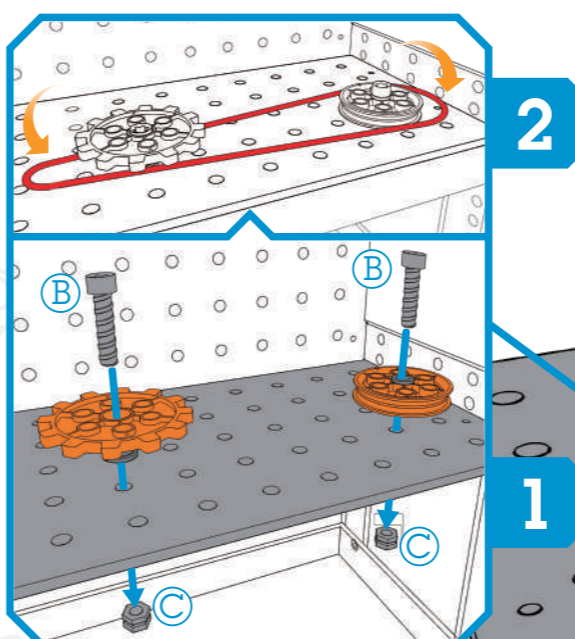
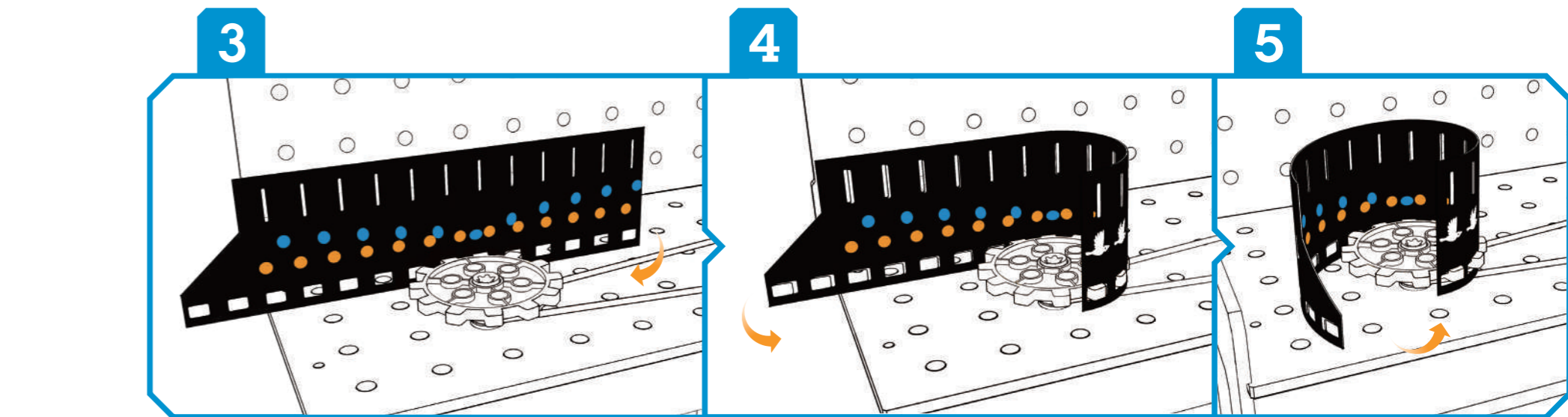
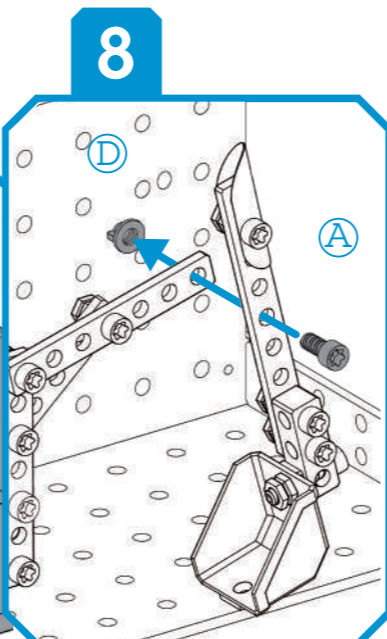
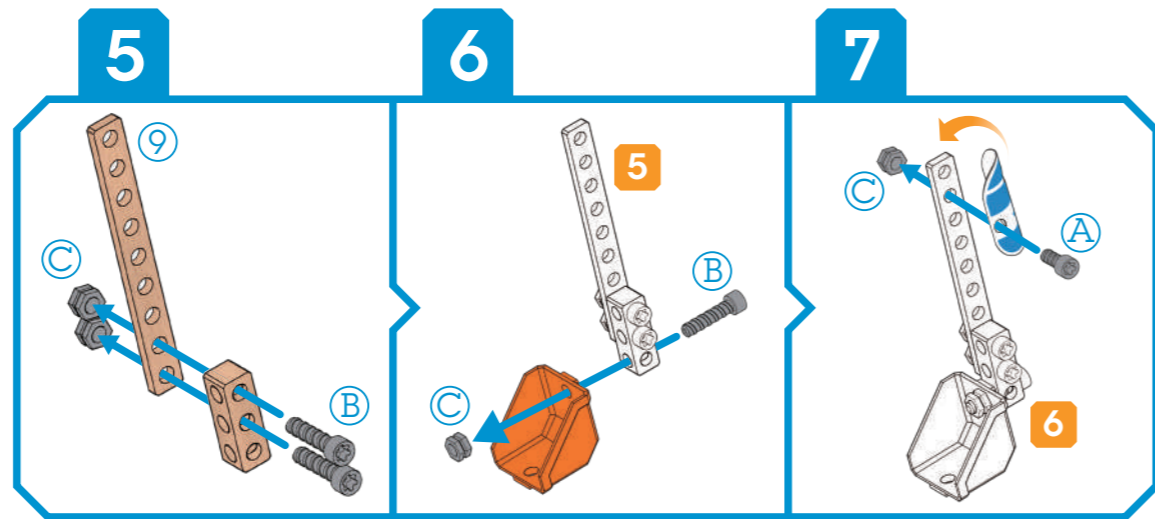
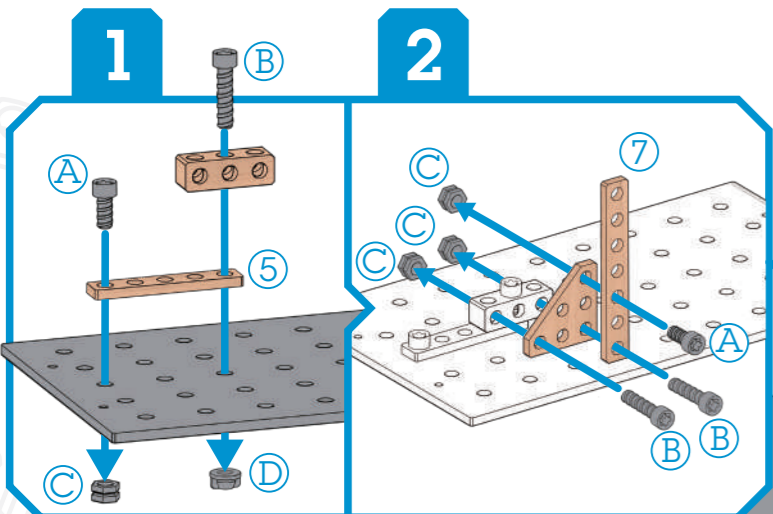
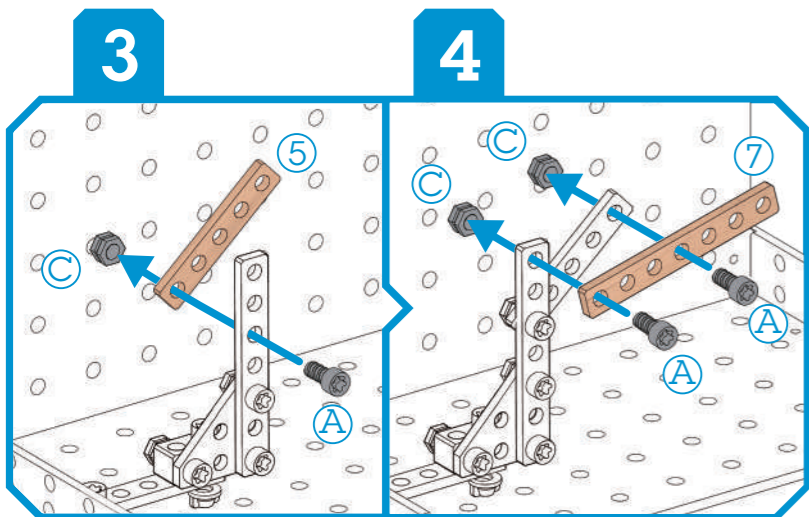
JUNIOR INVENTOR

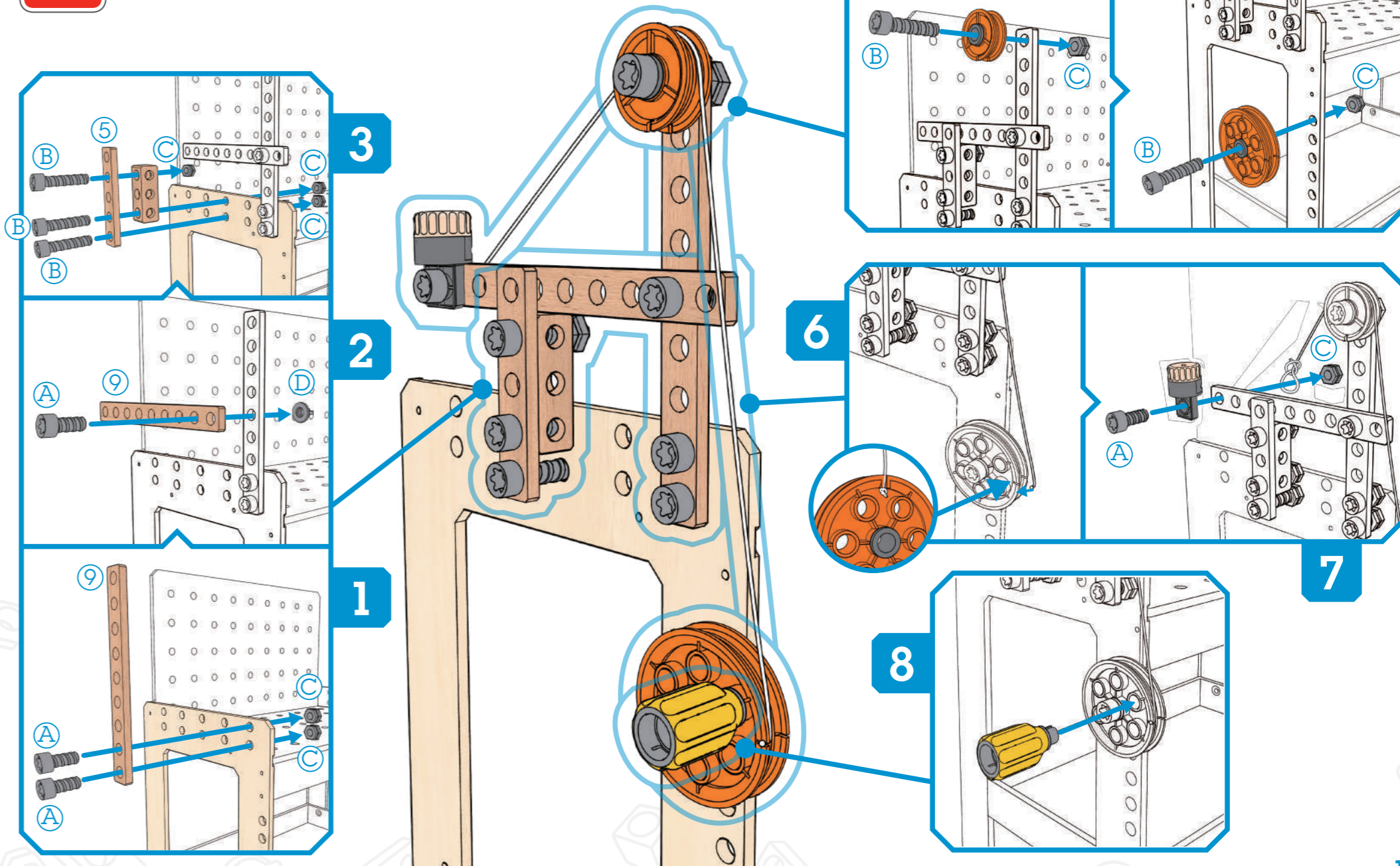
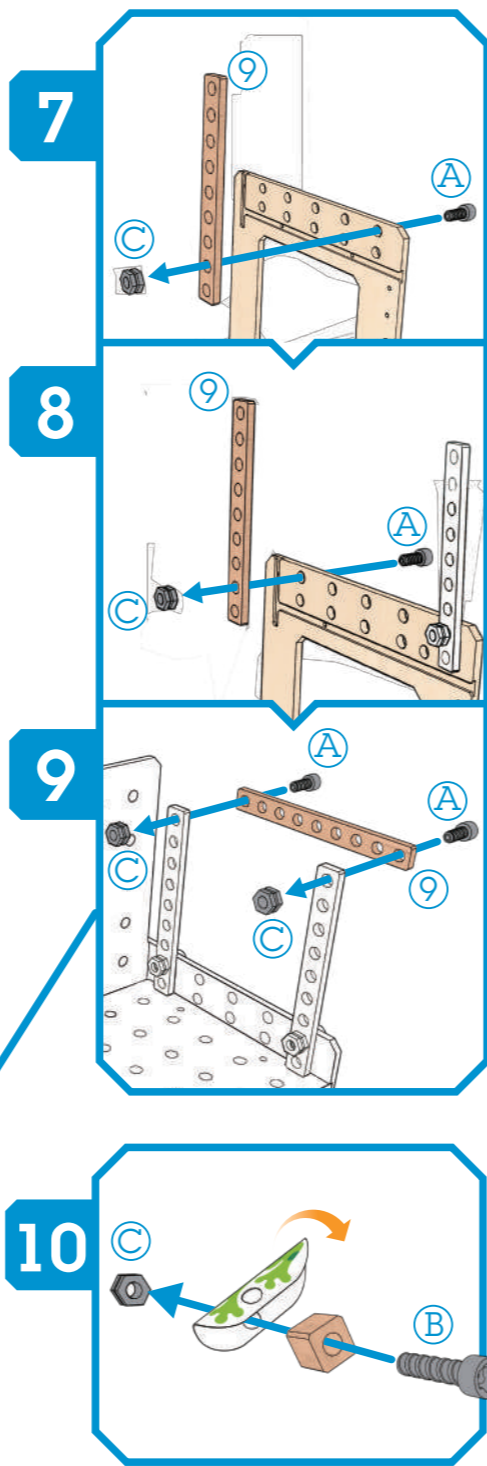
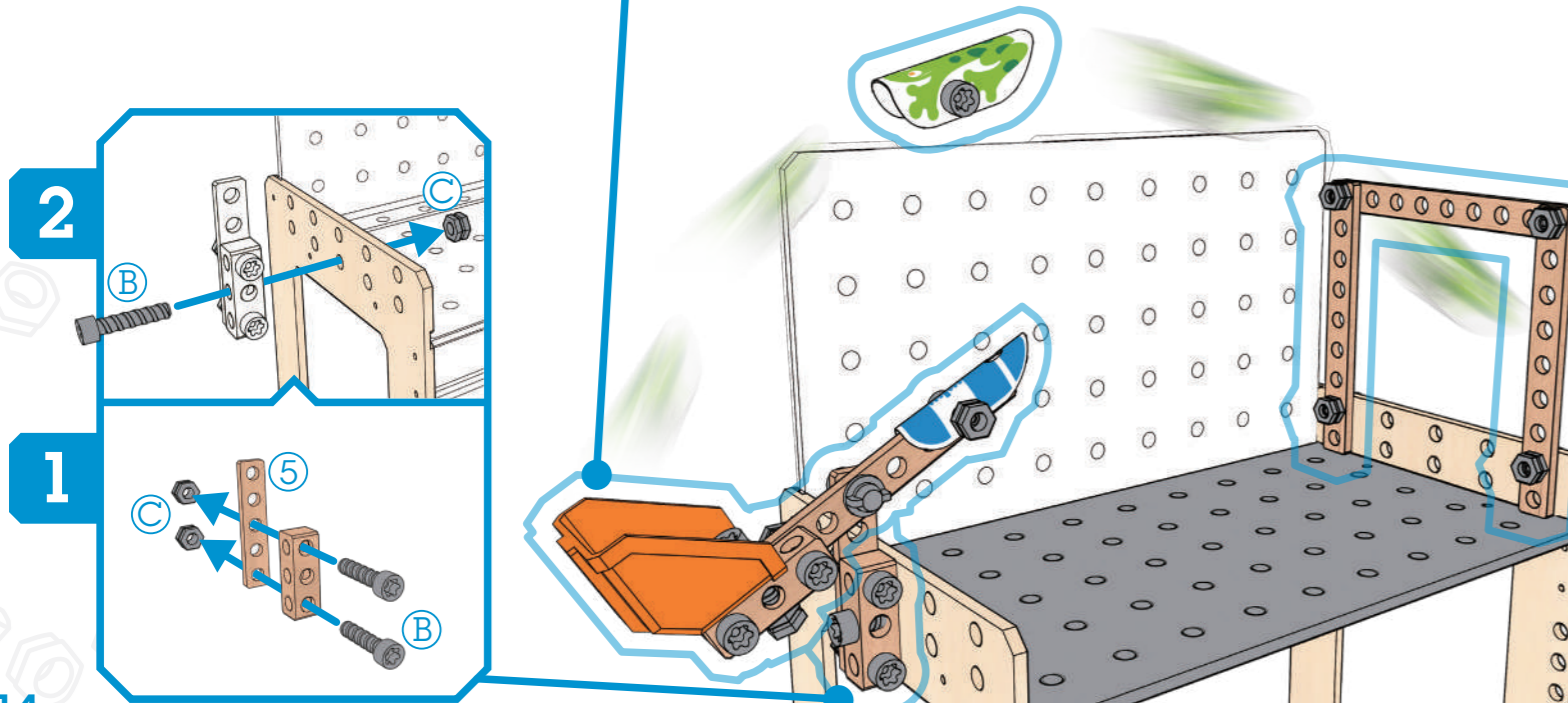
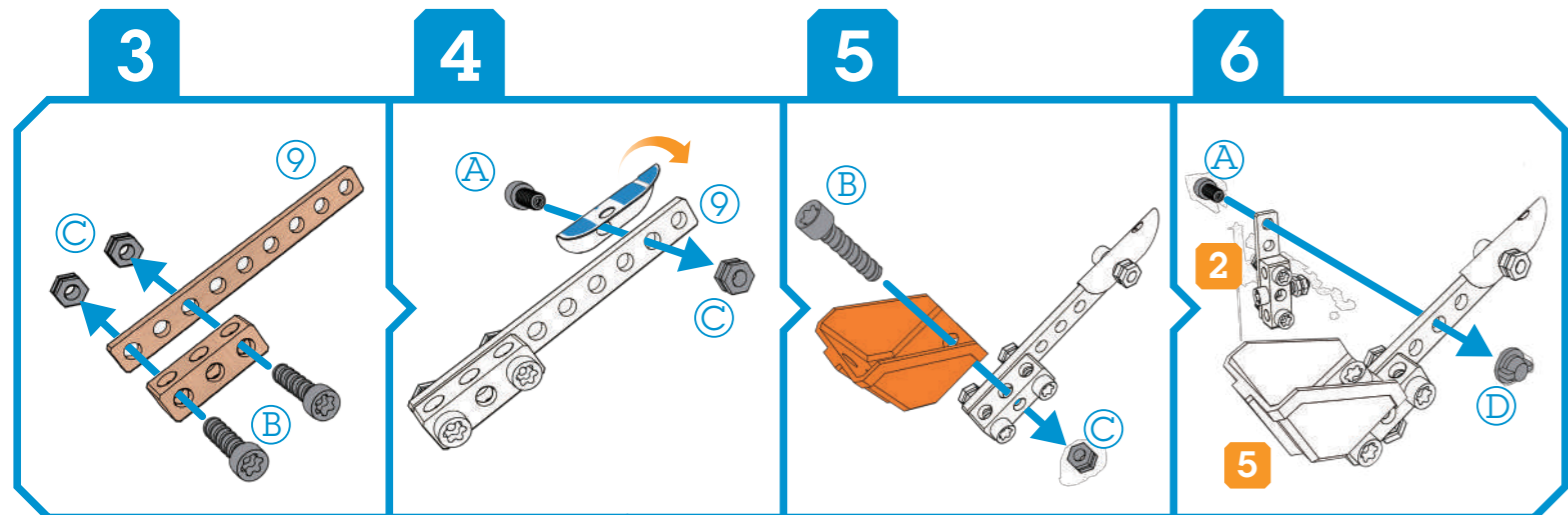


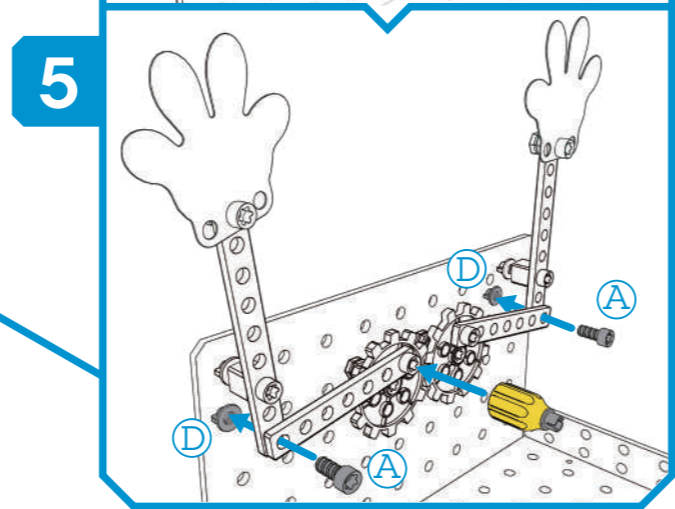
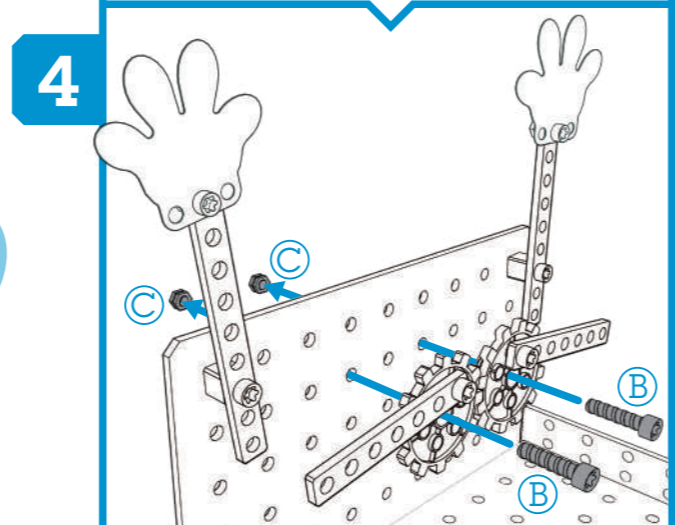
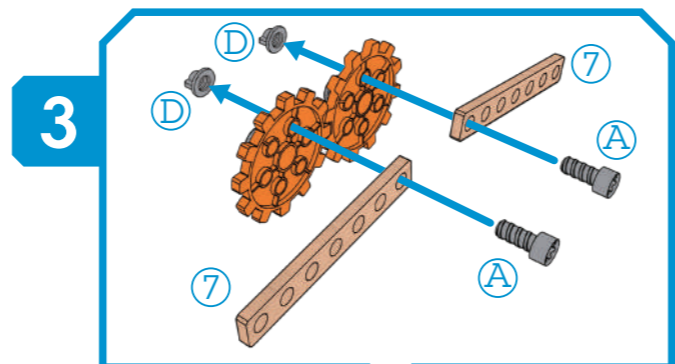
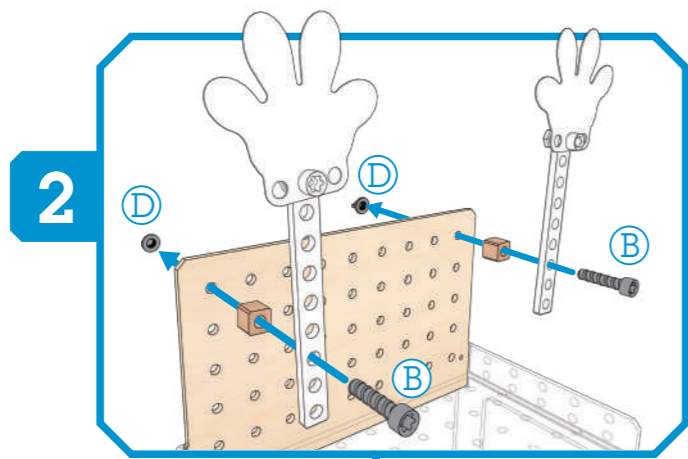
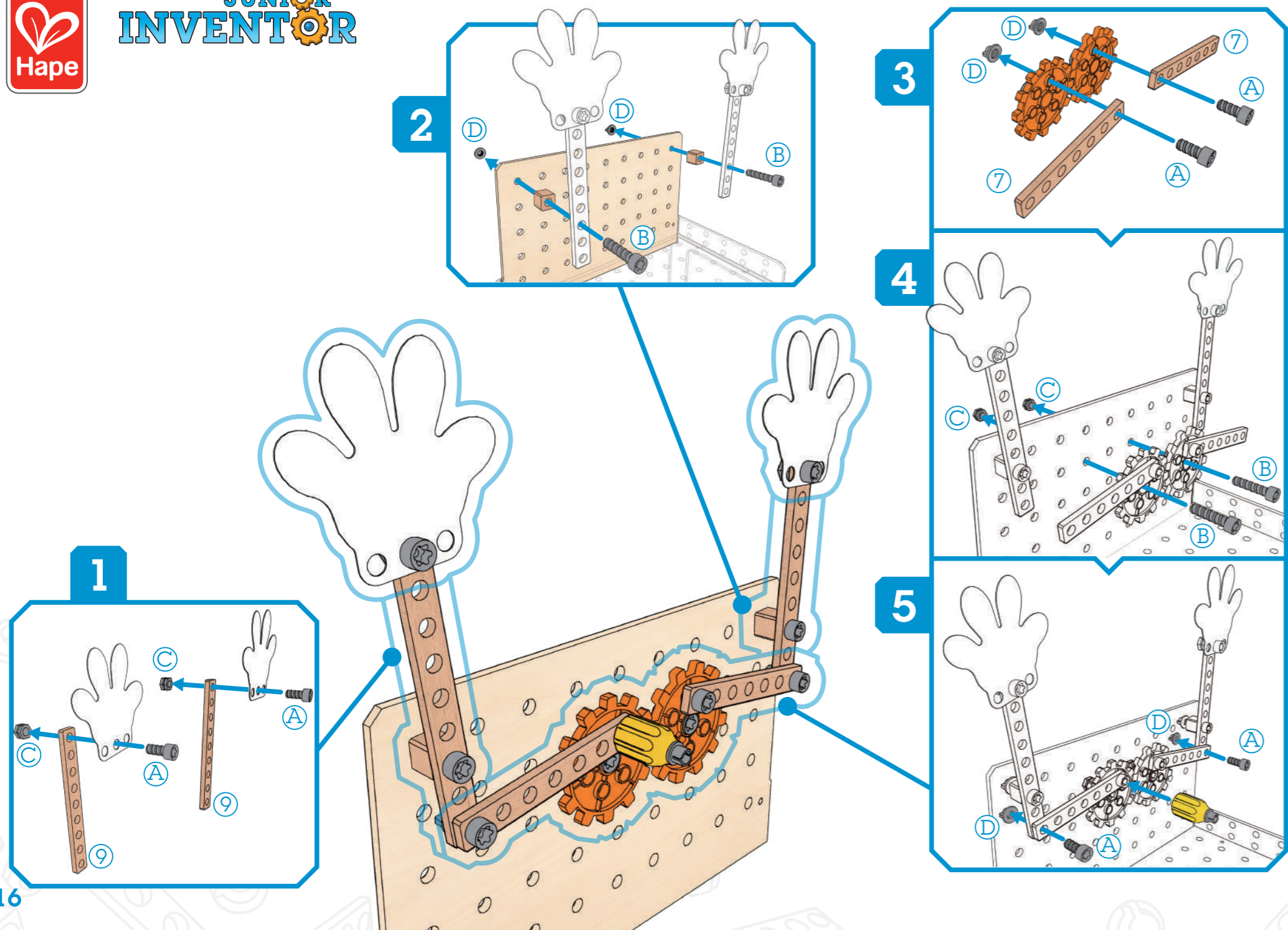
JUNIOR INVENTOR











INVENTOR: _____



JUNIOR
INVENTOR



JUNIOR
INVENTOR



INVENTOR: _____

INVENTOR: _____



H A P E . C O M

Hape International AG
Alsfelder Straße 41
35325 Mücke
Germany

Hape International Inc.
2nd Floor
199 Pembina Road
Sherwood Park, AB T8H 2W8
Canada